

EKEM2D

ETEC

Single Phase Smart Meter

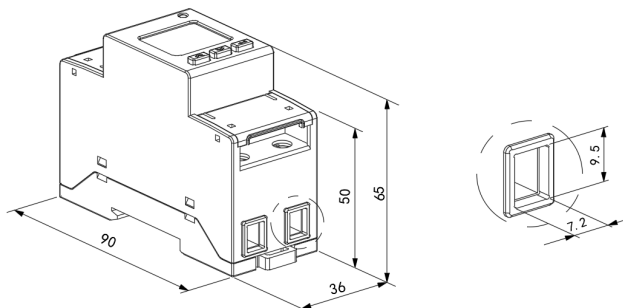
Standard_ IEC62053-21



Technical Data

Voltage	Reference voltage	AC 230V
	Reference frequency	50Hz
	Power consumption	<10VA
Current	Reference current	0.5-10(80)A
	Consumption	<4VA
Accuracy of measuring		Class B
Range of measuring		000000.00~99999999kWh
Clock accuracy		Error≤0.5s/d
Active pulse	Pulse width	80±20ms
	Pulse constant	1000imp/kWh
Communication	Interface	RS485(A+, B-)
	Connection mode	Shielded twisted pair conductors
	Protocol	MODBUS-RTU
Max. tightening torque		<1.8Nm
Work temperature		-25°C to +55°C
Storage Temperature		-40°C to +70°C
Relative humidity		≤95%(No condensation)
Altitude		<2000m

Overall and Installation Dimension(mm)

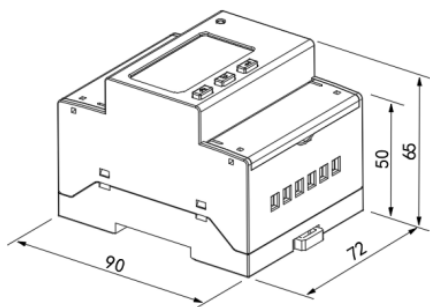




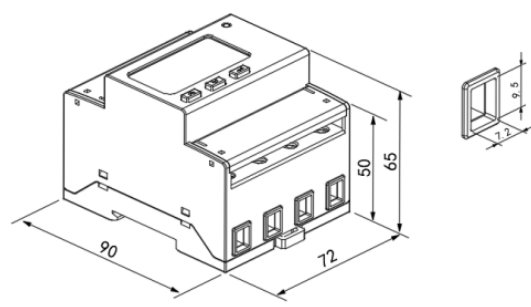
Technical Data

Specification		3 phase 3 wires	3 phase 4 wires
Voltage	Reference voltage	3×100V, 3×400V	3×57.7/100V, 3×230/400V
	Voltage range	3×100V~3×450V	3×57.7/100V~3×260/450V
	Consumption	<10VA(Single phase)	
	Impedance	>2MΩ	
	Accuracy class	Error±0.2%	
Current	Input current	0.01-1(6)A (Secondary access model) 0.5-10(80)A(Direct access model)	
	Consumption	<1VA Single phase rated current	
	Accuracy class	Error±0.2%	
Power	Active, reactive, apparent power, error±0.5%		
Frequency	45~65Hz, Error±0.2%		
Active Energy Class(kWh)	C(kWh)		
Clock	≤0.5s/d		
Energy pulse output	1 active photocoupler output		
Width of pulse	80±20ms		
Pulse constant	10000imp/kWh		
Interface and communication protocol	RS485: Modbus RTU		
Range of communication address	Modbus RTU:1~ 247		
Baud rate	1200bps~38400bps		
working temperature	-25°C to +55°C		
Relative humidity	≤95%(No condensation)		

Overall and Installation Dimension(mm)



connect via CT



direct connect